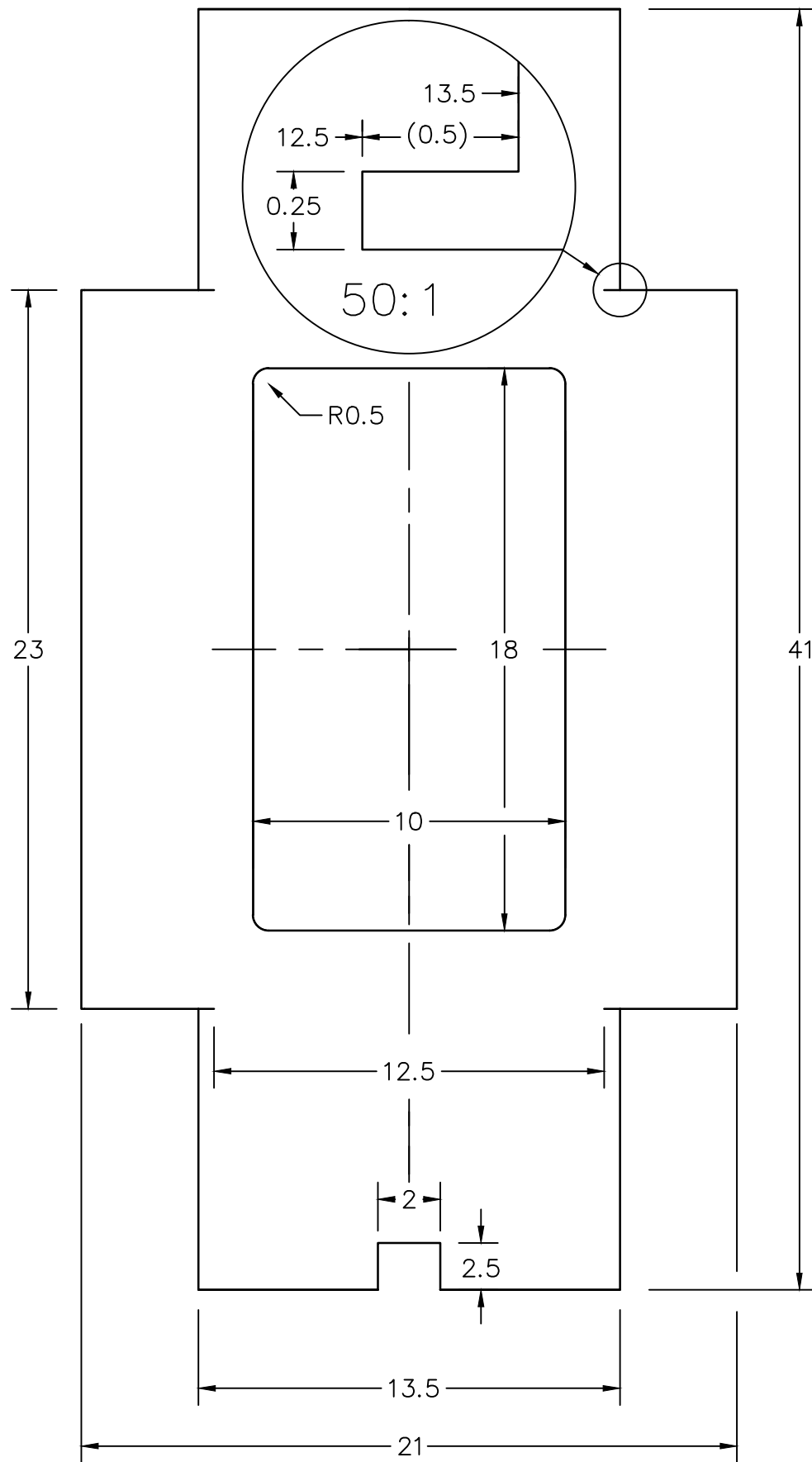
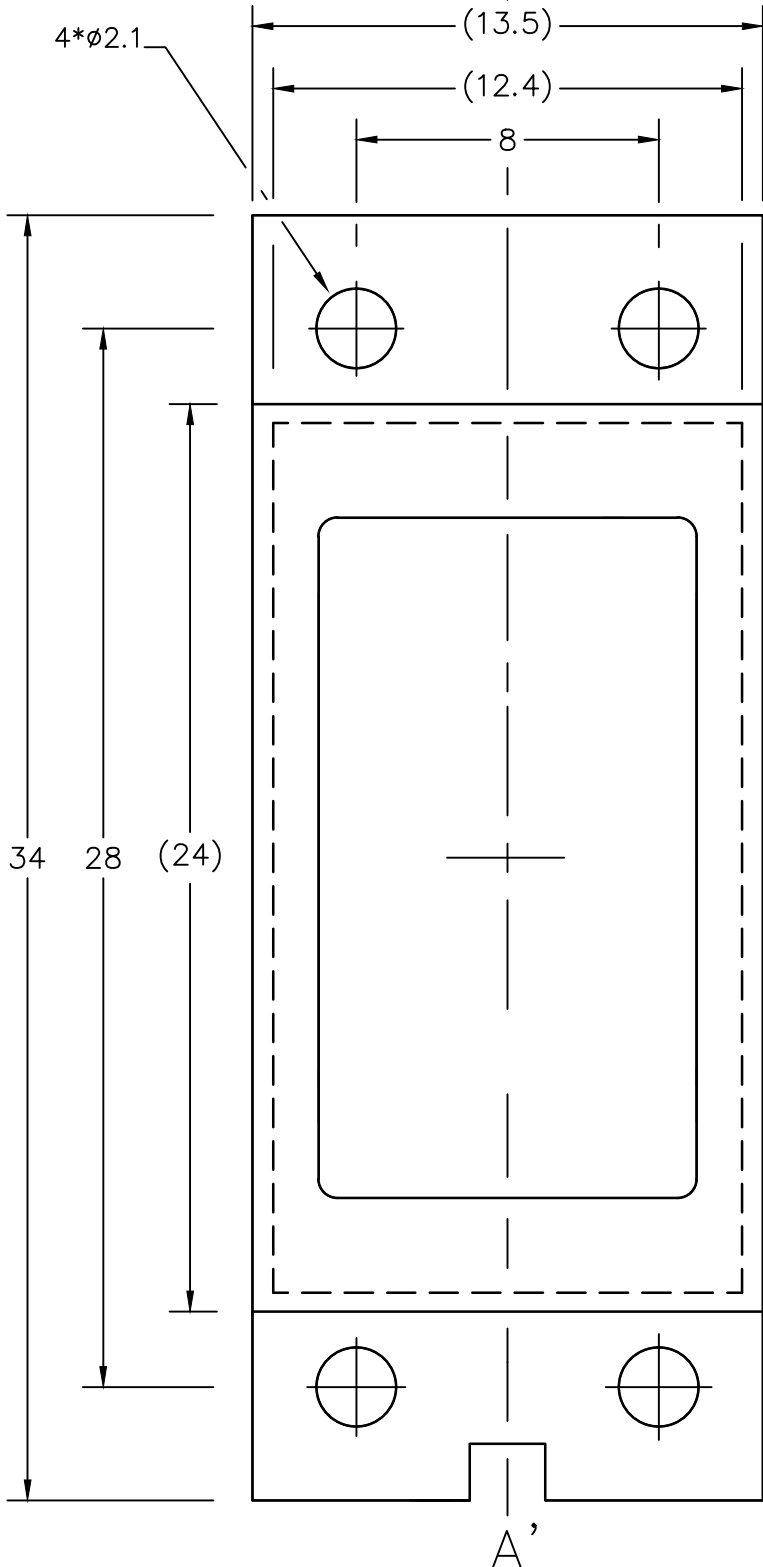


1b

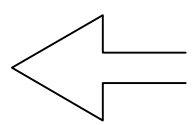
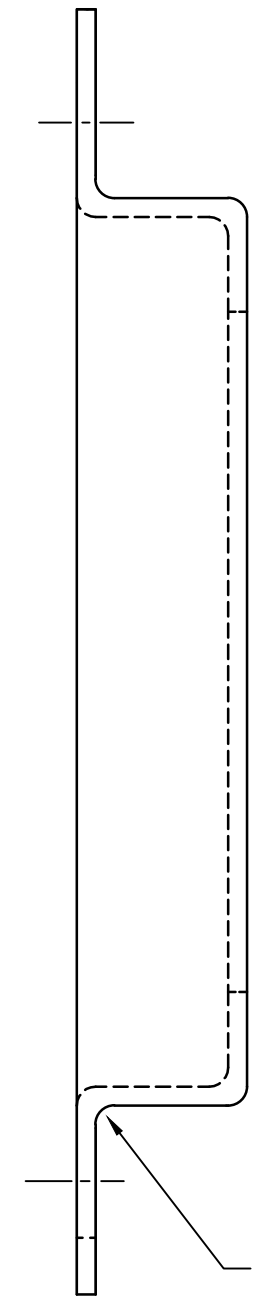
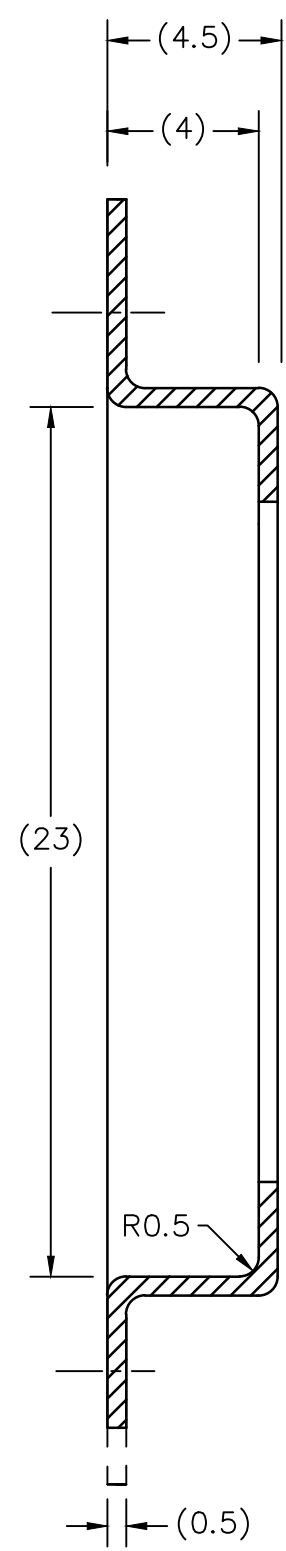
Draht Erodieren/wire-erosion



1

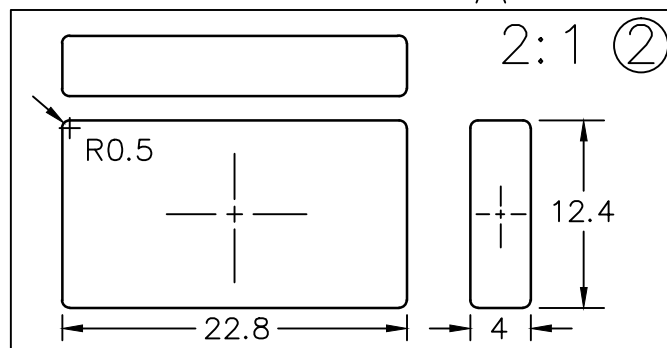


AA':



Muon Beam / Superconducting
 Magnet Field Direction

Ecken nicht verlöten



Anlage		SuS, LTF(B26450)		Masstab 5 . 1	
				Dimensions in mm	
Bearb.	06.01.14	bc35		(1) LTF(B26450)Sample-Plate-Mask (34*13.5*4.5mm)	
Gepr.	06.01.14	bc94		(2) LTF(B26450)Mask-Template Aluminium: (22.8*12.4*4mm)	
Norm.					
1.LTF(B26450)Sample-Plate-Mask				U: \lft\	
1b. Foil(0.5mm-dick)-Template				LTF(B26450)Ag_Mask_Jan2014.dwg	
PSI PAUL SCHERRER INSTITUT					