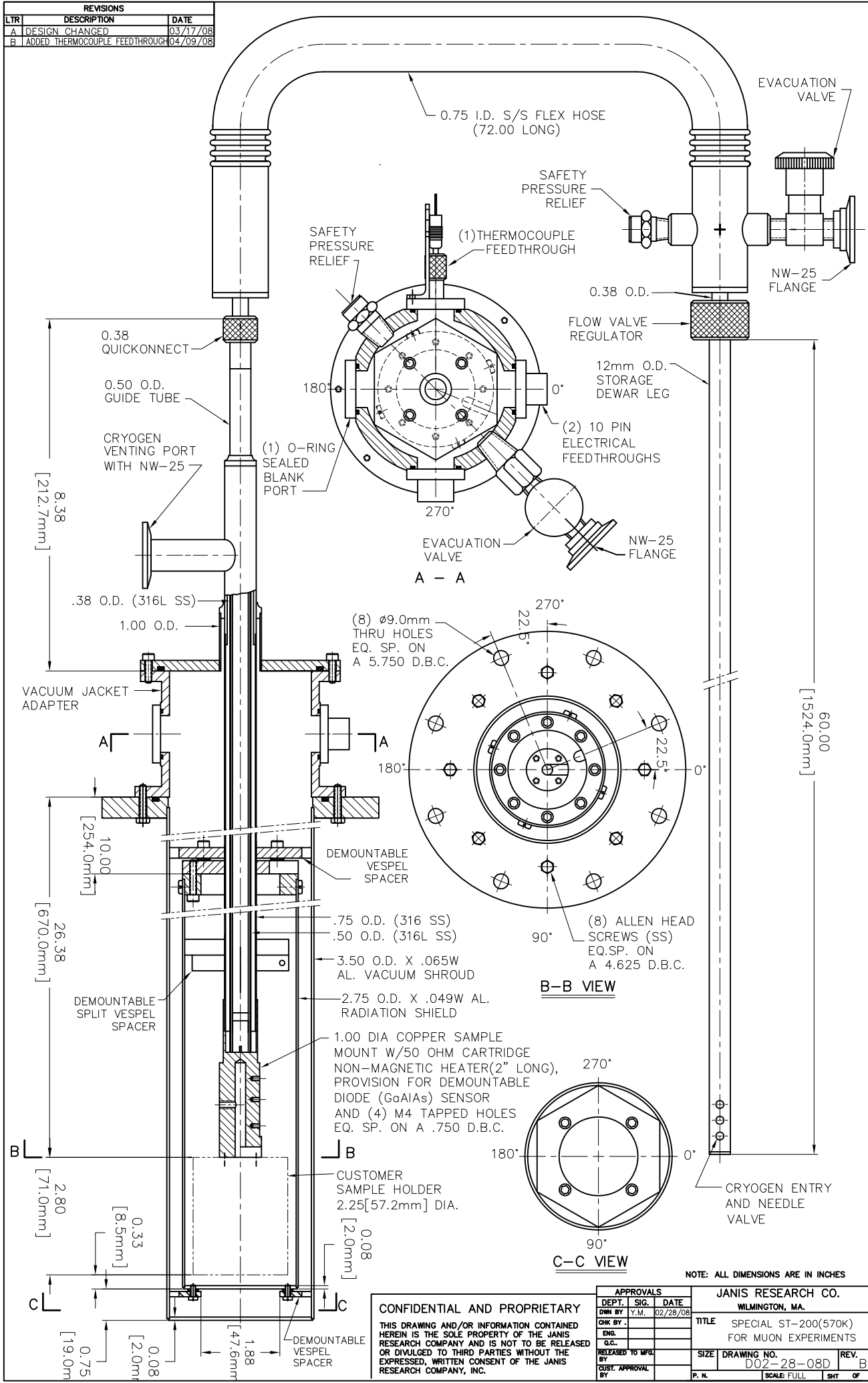


REVISIONS		
LTR	DESCRIPTION	DATE
A	DESIGN CHANGED	03/17/08
B	ADDED THERMOCOUPLE FEEDTHROUGH	04/09/08



CONFIDENTIAL AND PROPRIETARY

THIS DRAWING AND/OR INFORMATION CONTAINED HEREIN IS THE SOLE PROPERTY OF THE JANIS RESEARCH COMPANY AND IS NOT TO BE RELEASED OR DIVULGED TO THIRD PARTIES WITHOUT THE EXPRESSED, WRITTEN CONSENT OF THE JANIS RESEARCH COMPANY, INC.

APPROVALS		
DEPT.	SIG.	DATE
OWN BY	Y.M.	02/28/08
CHK BY		
ENG.		
G.C.		
RELEASED TO MFG BY		
CUST. APPROVAL BY		

JANIS RESEARCH CO. WILMINGTON, MA.		
TITLE SPECIAL ST-200(570K) FOR MUON EXPERIMENTS		
SIZE	DRAWING NO. D02-28-08D	REV. B
P. N.	SCALE: FULL	SHT. OF