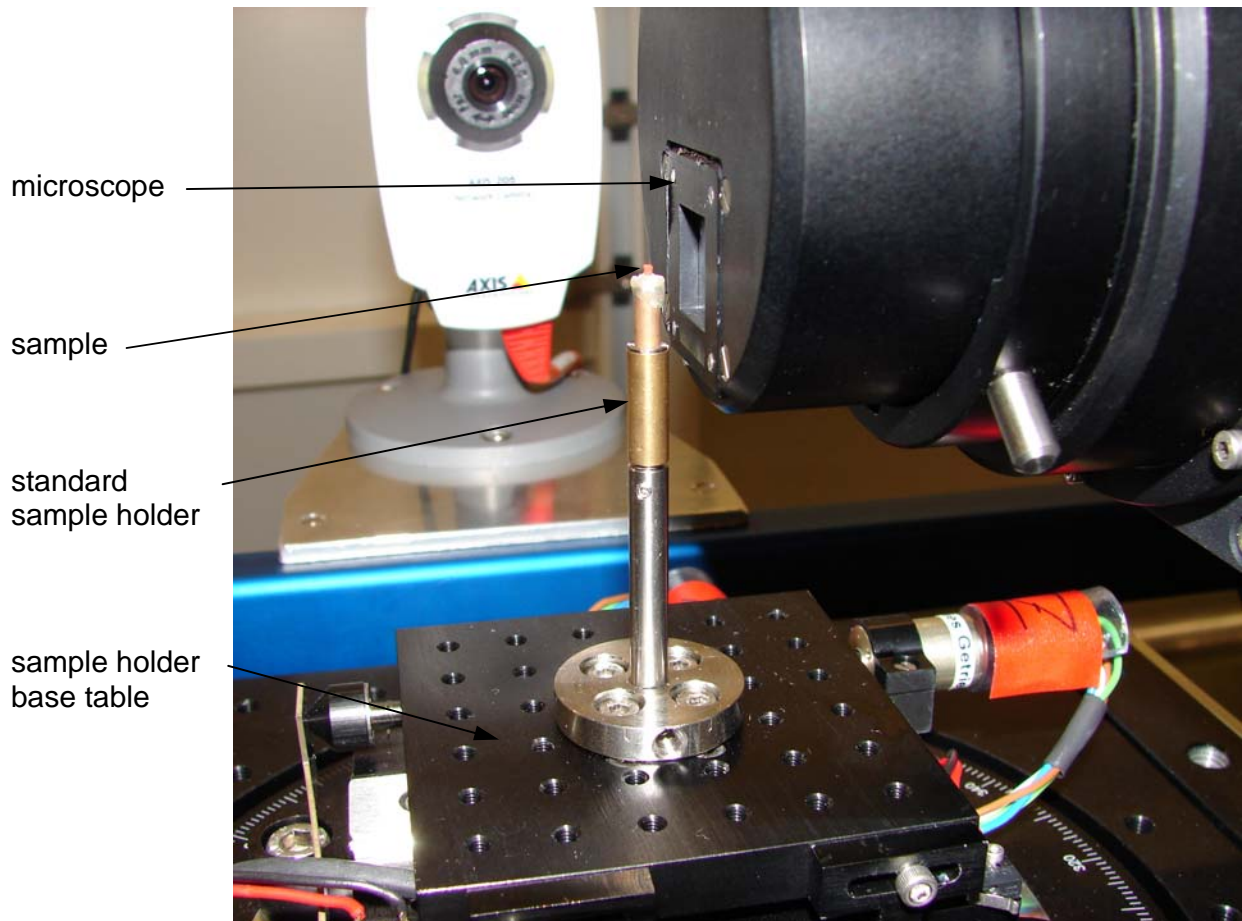
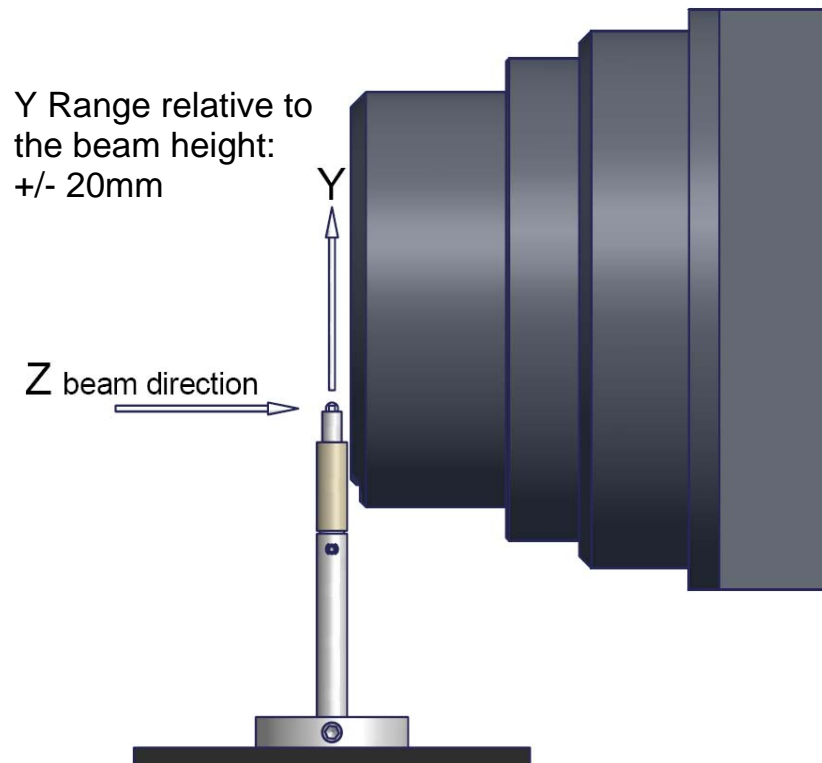
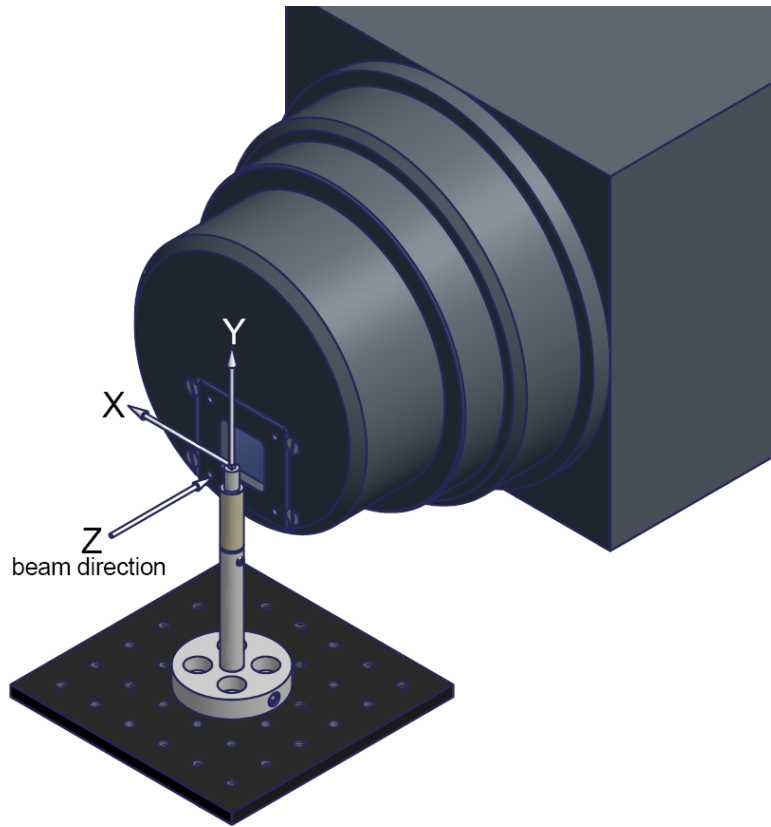


## Sample holder specs for users

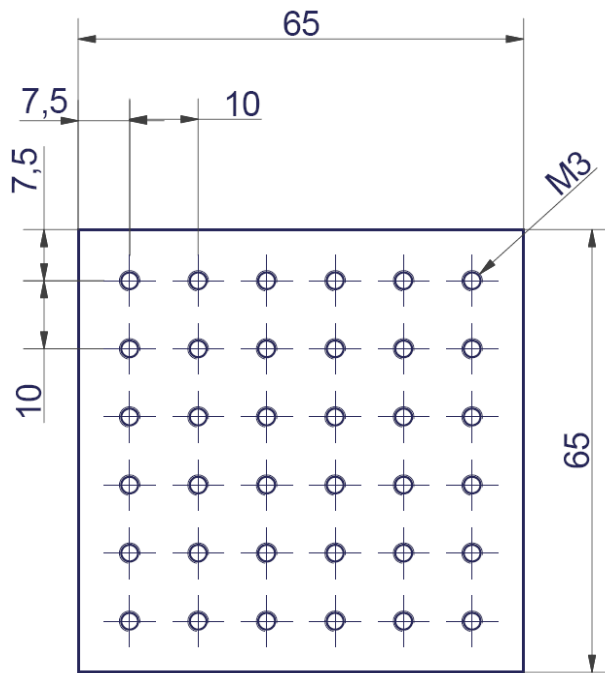
---



**Directions:**

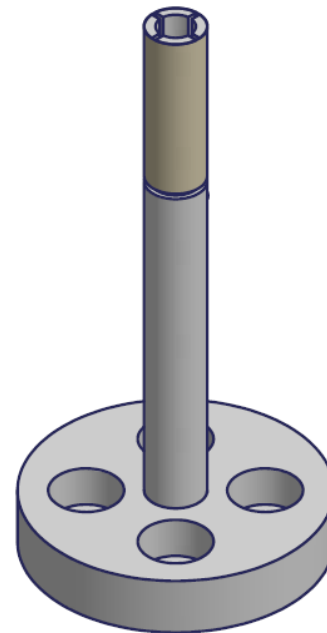
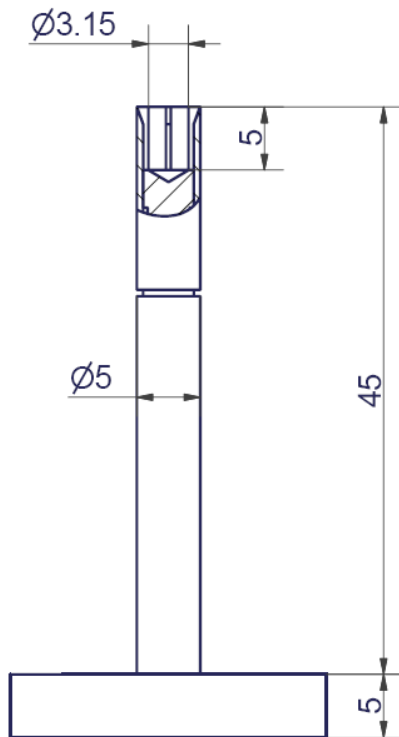


**Sample holder base table:**



Max. weight supported:  
2kg

**Standard sample holder:**



Pin diameter: 3.15mm

The fixation of the pin is easily done by a collet chuck.

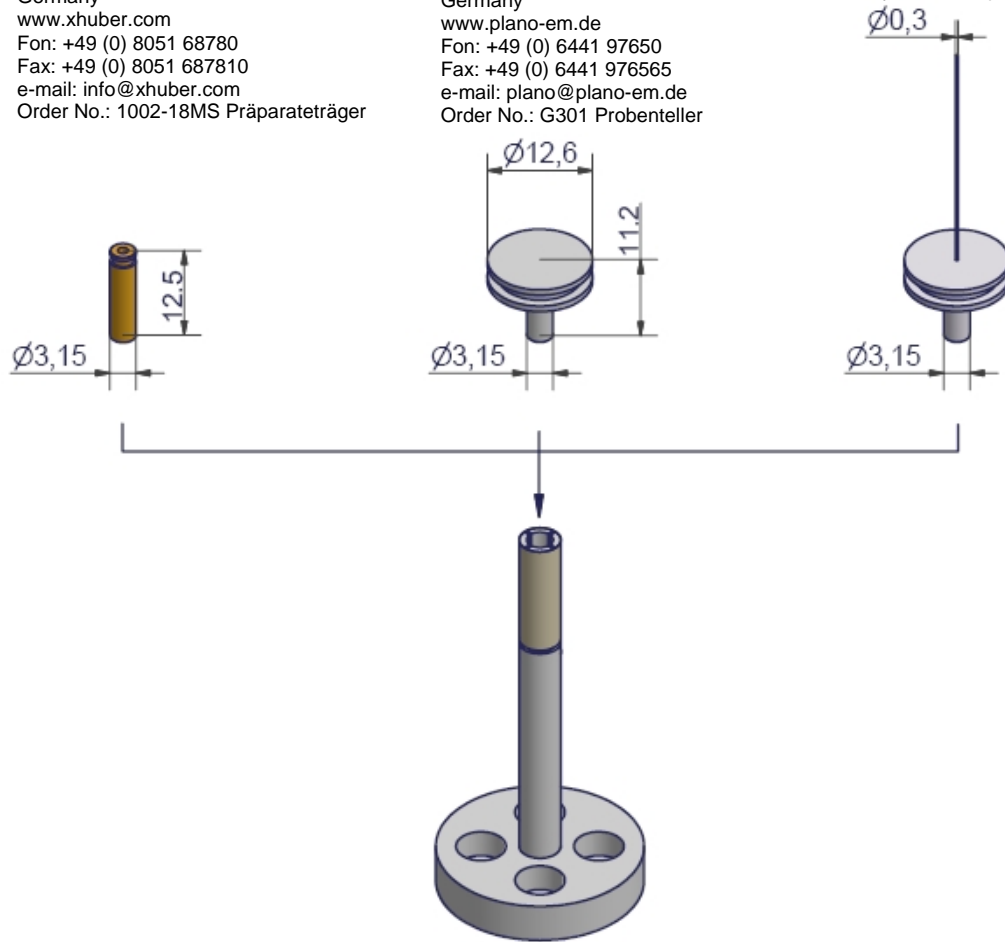
Order informations:

Huber Diffraktionstechnik  
Sommerstr. 4  
83253 Rimsting  
Germany  
www.xhuber.com  
Fon: +49 (0) 8051 68780  
Fax: +49 (0) 8051 687810  
e-mail: info@xhuber.com  
Order No.: 1002-18MS Präparateträger

Order informations:

PLANO GmbH  
Ernst-Befort-Strasse 12  
85578 Wetzlar  
Germany  
www.plano-em.de  
Fon: +49 (0) 6441 97650  
Fax: +49 (0) 6441 976565  
e-mail: plano@plano-em.de  
Order No.: G301 Probensteller

Special sample pin  
With 0.3mm diameter  
For very small samples



For support or further informations please contact us:

Dr. Marco Stampanoni  
Head of the X-Ray Tomography Group  
E-mail: [marco.stampanoni@psi.ch](mailto:marco.stampanoni@psi.ch)  
Phone: +41 (0)56 310 47 24

Gordan Mikuljan  
Beamline technician  
E-mail: [gordan.mikuljan@psi.ch](mailto:gordan.mikuljan@psi.ch)  
Phone: +41 (0)56 310 54 46