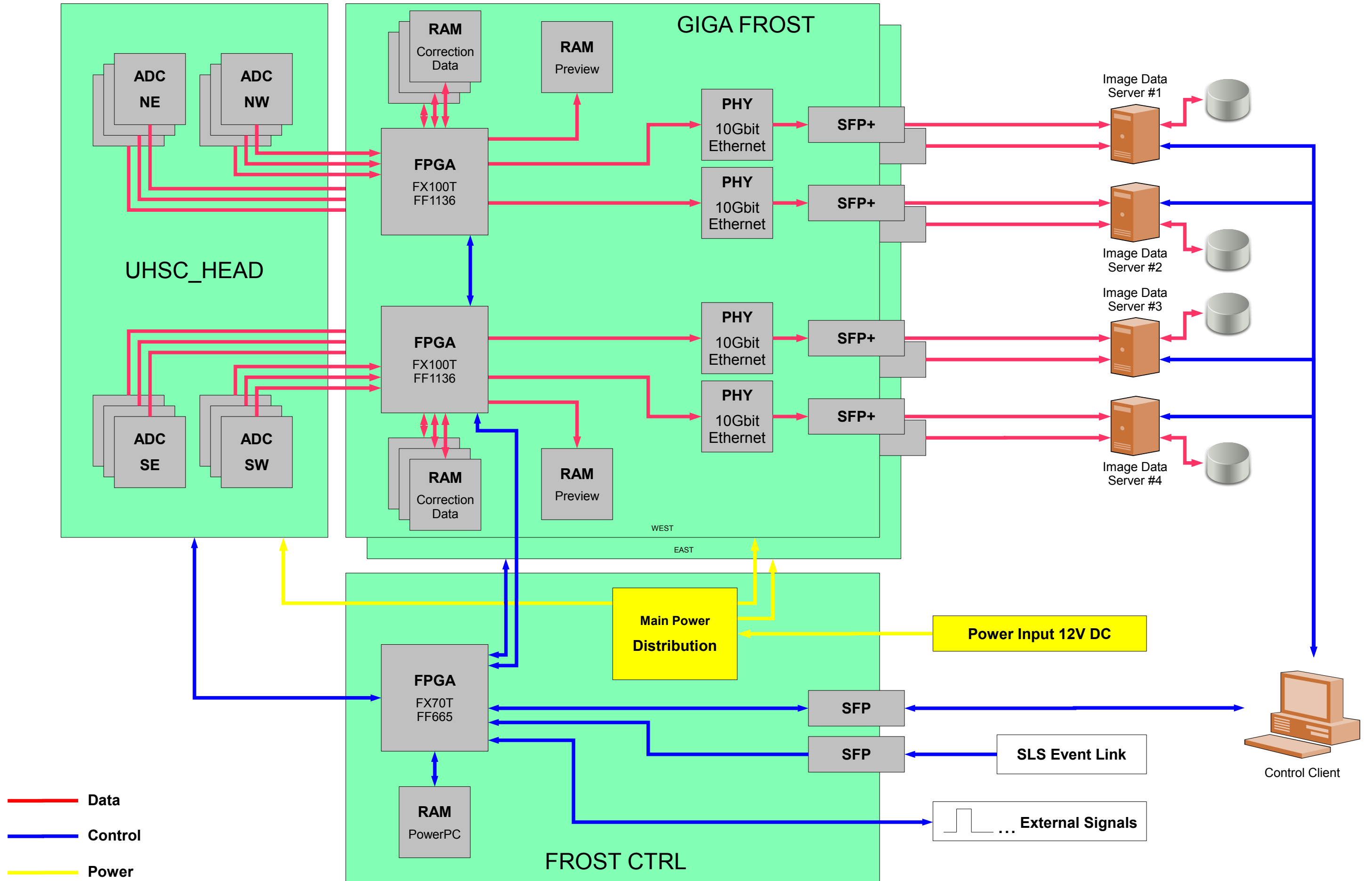


TOMCAT UFAST QV – Readout Electronics Block Schematic (Data & Control)

8/23/11



TOMCAT UFAST QV – Readout Electronics Block Schematic (JTAG & Configuration)

4/15/11

